

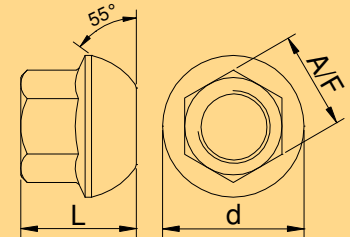
GEWI® Plus – accessories

GEWI® Plus – system

domed nut – for anchors and nails

nom Ø [mm]	article-no.	A/F [mm]	L [mm]	d [mm]	weight [kg]
18	18 TR 2001	32	35	43	0.18
22	22 TR 2001	36	45	53	0.31
25	25 TR 2001	41	50	60	0.43
28	28 TR 2001	46	55	67	0.61
30	30 TR 2001	50	60	71	0.80
35	35 TR 2001	60	70	83	1.3
43	43 TR 2001	70	85	102	2.1
57.5	57 TR 2001	90	115	137	5.5
63.5	63 TR 2001	100	125	151	7.5
75	75 TR 2001	120	150	174	11.9

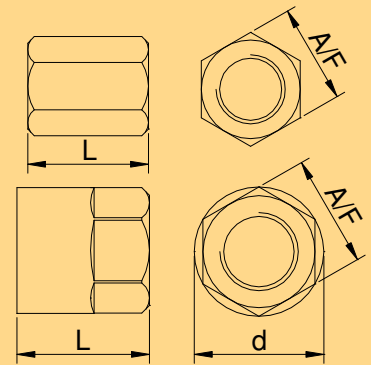
material: GS - 34 CrMo 4



anchor nut – for piles

nom Ø [mm]	article-no.	A/F [mm]	L [mm]	d [mm]	weight [kg]
18	18 TR 2002	36	45	—	0.30
22	22 TR 2002	41	50	—	0.42
25	25 TR 2002	46	55	—	0.55
28	28 TR 2002	50	60	—	0.70
30	30 TR 2002	55	65	—	0.93
35	35 TR 2002	65	70	—	1.42
43	43 TR 2002	80	90	—	2.70
57.5	57 TR 2002	90	120	102	4.60
63.5	63 TR 2002	100	145	114	5.65
75	75 TR 2002	100	130	108	4.60

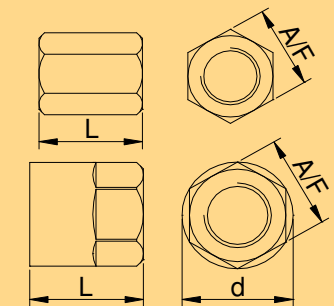
material: Ø18 – 63.5: S355J2
Ø75: 42CrMo4v



lock nut, long – for compression and alternating loads

nom Ø [mm]	article-no.	A/F [mm]	L [mm]	d [mm]	weight [kg]
28	28 TR 2003	46	55	—	—
30	30 TR 2003	50	60	—	—
35	35 TR 2003	55	65	—	0.80
43	43 TR 2003	70	80	—	1.70
57.5	57 TR 2003	90	100	102	3.60
63.5	63 TR 2003	100	105	114	5.10
75	75 TR 2003	100	120	108	4.20

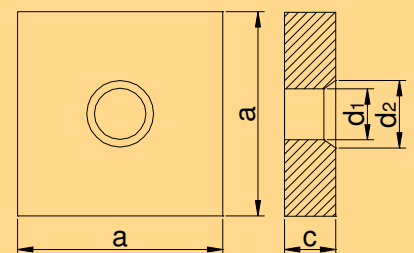
material: Ø18 – 63.5: S355J2
Ø75: 42CrMo4v



anchor plate with cone 55° – for domed nut

nom Ø [mm]	article-no.	a [mm]	c [mm]	d ₁ [mm]	d ₂ [mm]	weight [kg]
18	18 TR 2011	100	25	27	39	1.9
22	22 TR 2011	110	30	32	47	2.7
25	25 TR 2011	125	30	35	53	3.5
28	28 TR 2011	135	35	40	59	4.6
30	30 TR 2011	145	35	40	63	5.3
35	35 TR 2011	170	40	47	73	8.4
43	43 TR 2011	210	50	58	90	15.9
57.5	57 TR 2011	275	60	75	119	32.5
63.5	63 TR 2011	300	65	82	131	41.2
75	75 TR 2011	325	325	110	152	55

material: S235JR

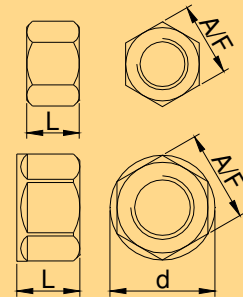


GEWI® Plus – accessories

lock nut, short – for tensioning loads

nom Ø [mm]	article-no.	A/F [mm]	L [mm]	d [mm]	weight [kg]
18	18 TR 2040	30	22	—	0.09
22	22 TR 2040	36	22	—	0.12
25	25 TR 2040	41	22	—	0.16
28	28 TR 2040	46	30	—	0.19
30	30 TR 2040	50	30	—	0.26
35	35 TR 2040	55	40	—	0.50
43	43 TR 2040	70	50	—	1.1
57.5	57 TR 2040	90	60	102	2.2
63.5	63 TR 2040	100	70	114	3.2

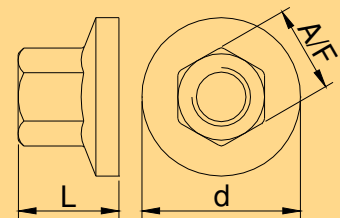
material: S355J2



anchor piece – for piles

nom Ø [mm]	article-no.	A/F [mm]	L [mm]	d [mm]	weight [kg]
18	18 TR 2073	32	35	55	0.28
22	22 TR 2073	36	45	65	0.42
25	25 TR 2073	41	50	75	0.60
28	28 TR 2073	46	55	85	0.82
30	30 TR 2073	50	60	90	1.0
35	35 TR 2073	60	70	105	1.8
43	43 TR 2073	70	85	130	2.7
57.5	57 TR 2073	90	115	175	6.8
63.5	63 TR 2073	100	125	190	7.5

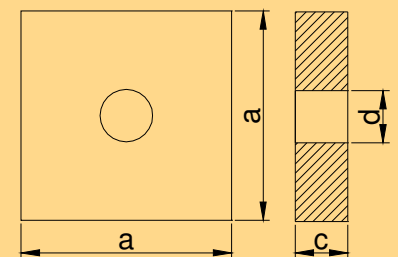
material: GS – 34 CrMo 4



anchor plate, flat – for anchor nut

nom Ø [mm]	article-no.	a [mm]	c [mm]	d [mm]	weight [kg]
18	18 TR 2139	100	25	23	1.9
22	22 TR 2139	110	30	27	2.7
25	25 TR 2139	125	30	30	3.5
28	28 TR 2139	135	35	34	4.7
30	30 TR 2139	145	35	36	5.5
35	35 TR 2139	170	40	42	8.8
43	43 TR 2139	210	50	50	16.3
57.5	57 TR 2139	275	60	67	33.8
63.5	63 TR 2139	300	65	74	43.5
75	75 TR 2139	325	70	88	54.7

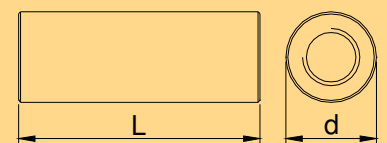
material: S235JR



coupler – for piles and nails

nom Ø [mm]	article-no.	d [mm]	L [mm]	weight [kg]
18	18 TR 3003	36	100	0.58
22	22 TR 3003	40	110	0.70
25	25 TR 3003	45	120	0.98
28	28 TR 3003	50	140	1.4
30	30 TR 3003	55	150	1.9
35	35 TR 3003	65	170	2.4
43	43 TR 3003	80	200	5.5
57.5	57 TR 3003	102	250	10.0
63.5	63 TR 3003	114	300	14.7
75	75 TR 3003	108	260	9.5

material: Ø18 – 63.5: S355J2
Ø75: 42CrMo4v



GEWI® Plus – accessories

GEWI® Plus – system

contact coupler – for compression loads

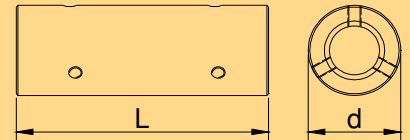
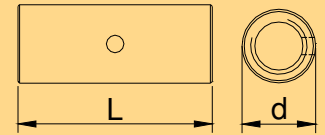
nom Ø [mm]	article-no.	d [mm]	L [mm]	weight [kg]
28	28 TR 3006	45	90	0.8
30	30 TR 3006	45	90	0.8
35	35 TR 3006	50	120	1.0
43	43 TR 3006	65	160	2.4
57.5	57 TR 3006	80	180	4.1
63.5	63 TR 3006	90	200	4.8
75	75 TR 3006	102	230	6.7

material: S355J2

coupler with set screws – for anchors

nom Ø [mm]	article-no.	d [mm]	L [mm]	weight [kg]
30	30 TR 3020	55	150	1.9
35	35 TR 3020	65	170	2.4
43	43 TR 3020	80	200	5.5
57.5	57 TR 3020	102	250	10.0
63.5	63 TR 3020	114	300	14.7

material: S355J2



Please note:

This brochure serves basic information purposes only. Technical data and information provided herein shall be considered non-binding and may be subject to change without notice. We do not assume any liability for losses or damages attributed to the use of this technical data and any improper use of our products. Should you require further information on particular products, please do not hesitate to contact us.



DYWIDAG-SYSTEMS International GmbH

Germanenstrasse 8
86343 Koenigsbrunn
Germany

☎ - Phone: +49 (0) 8231 – 9607 – 0
 ☎ - Fax: +49 (0) 8231 – 9607 – 40
 🌐 - Web: www.dywidag-systems.com